

# TH7325 Thermostat

## Hazardous Location Thermostat

**UL:**  
 Class I, Division 1 and 2, Groups B, C, D  
 Class II, Division 1 and 2, Groups E, F, G

**CSA:**  
 Class I, Division 1 and 2, Groups B, C, D  
 Class II, Division 1 and 2, Groups E, F, G

**FM:**  
 Class I, Division 1 and 2, Groups B, C, D  
 Class II, Division 1 and 2, Groups E, F, G

**ATEX:**  
 II 2 G D  
 EEx d IIC T6  
 Tamb -40°C to +60°C  
 IP65

### Applications

- TH7325 thermostat is used for controlling heat tracing systems in hazardous locations.
- The capillary bulb should be mounted on the side of the pipe.

### Features

- Enclosure: Cast Aluminum
- Classifications: NEMA Type 4, 7, 9 IP66
- Temperature Range: -4°C to +163°C (+25 to +325°F)
- Enclosure Limits: -40°C to +60°C (-40°F to +140°F)
- Capillary:
  - Length: 3m (10ft)
  - Material: Stainless Steel
  - Maximum Bulb Temperature: +215°C (+420°F)
- Electrical Data:
  - CSA Rating: 22 amp resistance 480 Vac
  - UL Rating: 22 amp resistance 480 Vac
- Calibration Accuracy: +1.6°C (+3°F)
- Switch Type: Single Pole Double Throw

### Certifications and Compliances

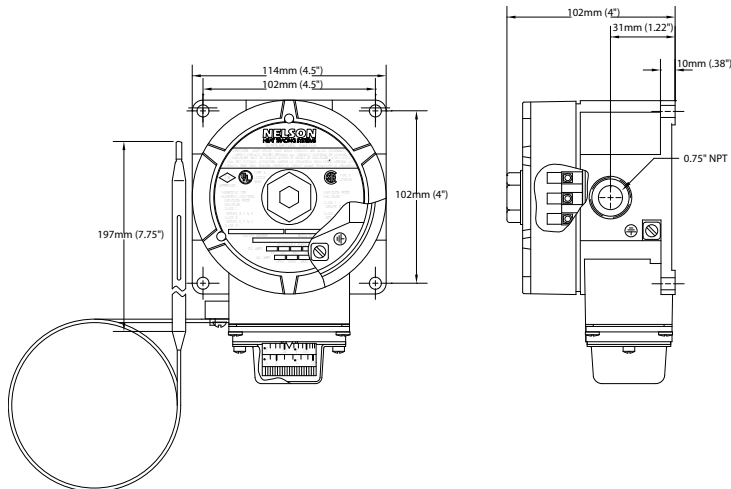
- UL Listed: E53121
- CSA Certified: LR701950
- FM Approved: 1Z1A0.Ae
- LCIE Certified: 07 ATEX 6093X



CONTROL AND MONITORING SYSTEMS: THERMOSTATS

NELSON™

### Dimensions in Millimeters (Inches)



# TH7325 Thermostat

## Hazardous Location Thermostat

**UL:**  
 Class I, Division 1 and 2, Groups B, C, D  
 Class II, Division 1 and 2, Groups E, F, G

**CSA:**  
 Class I, Division 1 and 2, Groups B, C, D  
 Class II, Division 1 and 2, Groups E, F, G

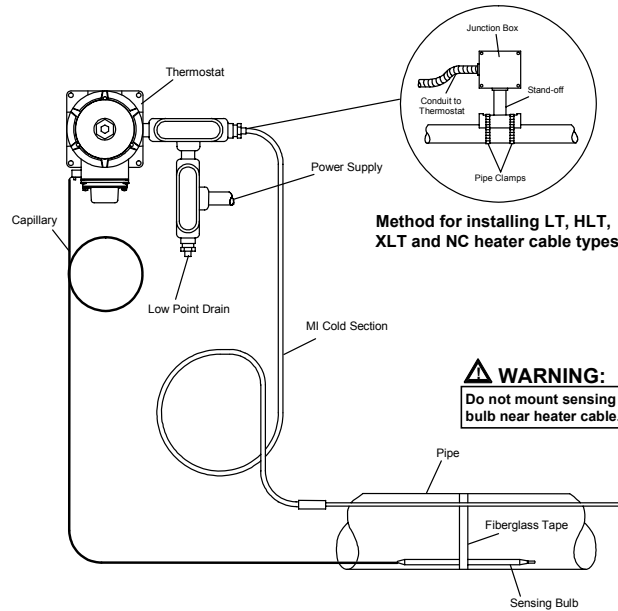
**FM:**  
 Class I, Division 1 and 2, Groups B, C, D  
 Class II, Division 1 and 2, Groups E, F, G

**ATEX:**  
 II 2 G D  
 EEx d IIC T6  
 Tamb -40°C to +60°C  
 IP65

### Annual Maintenance

1. Remove cover.
2. Spray a coat of lubricant and rust preventative such as CRC Store and Lube, electrical grade, on the thermostat body.
3. Replace cover.

### Installation



### Wiring Diagram

