

TA4X140 Thermostat

Ordinary Location Thermostat

UL:
Ordinary (Unclassified) Locations

CSA:
Ordinary (Unclassified) Locations

CONTROL AND MONITORING SYSTEMS: THERMOSTATS

Applications

- TA4X140 is used for ambient temperature control in ordinary (unclassified) or corrosive locations.

Features

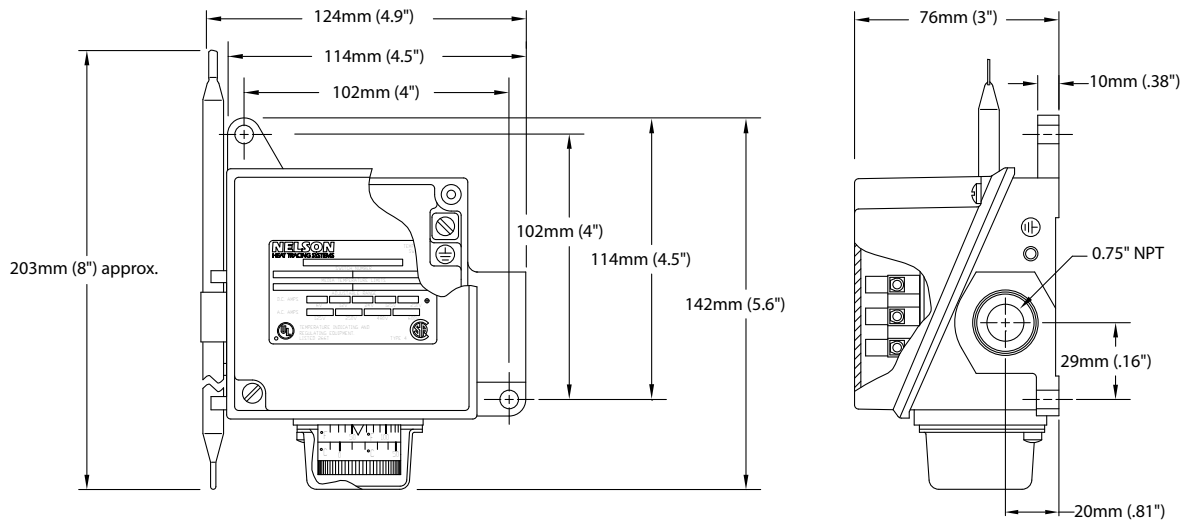
- Enclosure: Die Cast Aluminum
- Classifications: NEMA Type 4X IP66
- Temperature Range: -9°C to +60°C (+15°F to +140°F)
- Exposure: -40°C to +71°C (-40 to +160°F)
- Capillary:
 - Length: N/A
 - Material: Stainless Steel
 - Maximum Bulb Temperature: +71°C (+160°F)
- Electrical Data:
 - CSA Rating: 22 amp resistance 480 Vac
 - UL Rating: 22 amp resistance 480 Vac
- Calibration Accuracy: +1.1°C (+2°F)
- Switch Type: Single Pole Double Throw

Certifications and Compliances

- UL Listed: E89748
- CSA Listed: LR701949



Dimensions in Millimeters (Inches)



TA4X140 Thermostat

Ordinary Location Thermostat

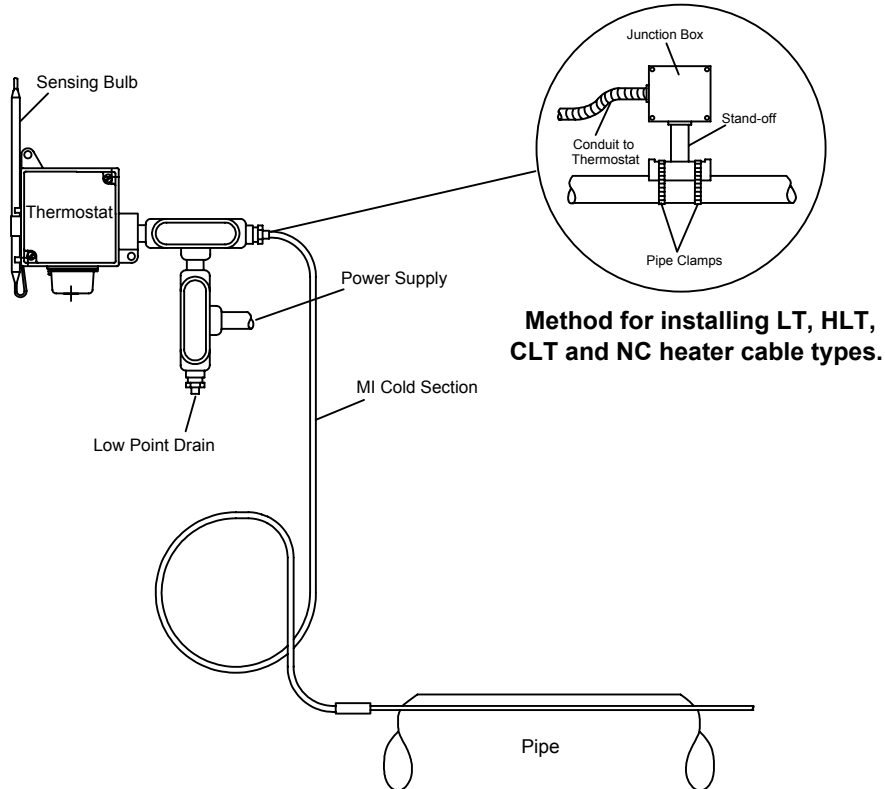
UL:
Ordinary (Unclassified) Locations

CSA:
Ordinary (Unclassified) Locations

Annual Maintenance

1. Remove Cover.
2. Lubricate dial stem and spray a coat of lubricant and rust preventative such as CRC Store and Lube, electrical grade, on the thermostat body.
3. Replace Cover.

Installation



CONTROL AND MONITORING SYSTEMS: THERMOSTATS

NELSON™

Wiring Diagram

