



SNOW SWITCH® MODEL CIT-1

AUTOMATIC SNOW/ICE MELTING SYSTEM CONTROL PANEL

DESCRIPTION

The CIT-1 Snow Sensor detects falling or blowing precipitation as snow at temperatures below 38°F (3.3°C). The CIT-1 provides the industry's most versatile and cost effective automatic snow melting control when used with any APS or EUR series control panel, old or new.

Reliability and sensitivity are key CIT-1 features. The solid state design, combined with a rugged aluminum housing and epoxy potting, ensure many years of trouble free service. Precision precipitation and temperature sensors assure snow detection accuracy.

Typical applications include controlling snow melting systems or sidewalks, doorways, stairs, loading docks, ramps for the physically challenged and parking garages. Easy installation is another key CIT-1 feature. Low voltage operation, up to 2,000' (609.6m) separation from the control panel, mast or roof mounting, and noncritical extension wiring are just a few of the features making this possible.

PACKING LIST

10001 CIT-1 Snow Sensor
17815 CIT-1 Snow Sensor Manual

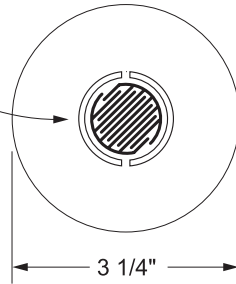
INSTALLATION

- 1) Mount sensor securely in upright position in clear (open) area typical of area to be melted, either above the roof line or far enough away from the building so as not to be protected from the falling snow. Provide service access.
- 2) Avoid overhead trees, shrubs, wires, eaves, etc. And falling or blowing debris.
- 3) Avoid automobile and foot traffic. Do not create a tripping or safety hazard.
- 4) Avoid exposure to artificial heat sources and excessive shock and vibration.
- 5) Install per applicable electrical and building codes.
- 6) From one to six sensors may be connected to one control panel. CIT-1 sensors may be mixed on a single control panel but control action will be actuated by any one sensor for the whole system and will remain actuated until all sensors are cleared. Consider results desired and sensor performance characteristics before mixing sensors.

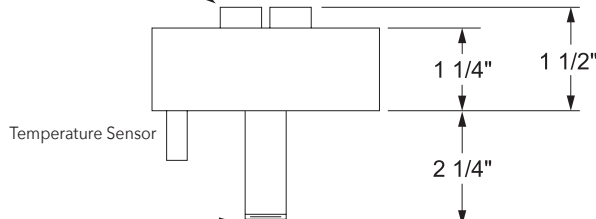
MODEL CIT-1 SNOW SENSOR

SENSES PRECIPITATION AND AMBIENT TEMPERATURE
 PRESET TO ACTUATE WHEN MOISTURE AND
 AMBIENT IS BELOW 38 DEG. F.

HEATED MOISTURE SENSING GRID. MOUNT
 IN OPEN WHERE IT CAN SENSE FALLING OR
 BLOWING PRECIPITATION.

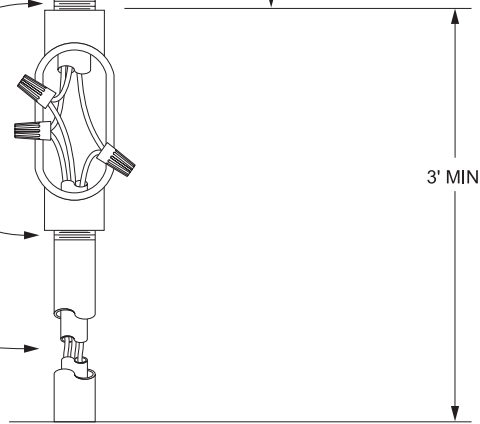


WIND SHIELD WITH WATER DRAIN SLOTS



1/2" NEMA 3 OR NEMA 4 CONDUIT BODY (OR
 WEATHERPROOF BOX) AND RIGID CONDUIT,
 CUSTOMER SUPPLIED.
 MAKE ALL THREADED JOINTS WATERTIGHT
 INSULATE SPLICES WITH WIRE NUTS.

TO CONTROL PANEL: UP TO 2000' (609.6 M)
 MAX. DISTANCE FROM SENSOR TO CONTROL
 PANEL. USE #18 AWG CONDUCTORS FOR
 DISTANCES UP TO 500' (152.4 M). USE #12AWG
 FOR GREATER LENGTHS.



GROUND OR MOUNTING SUPPORT SURFACE

LIMITED WARRANTY

ETI's two year limited warranty covering defects in workmanship and materials applies. Contact Customer Service for complete warranty information.

DISCLAIMER

ETI makes no representations or warranties, either expressed or implied, with respect to the contents of this publication or the products that it describes, and specifically disclaims any implied warranties of merchantability or fitness for any particular purpose. ETI reserves the right to revise this publication, and to make changes and improvements to the products described in this publication, without the obligation of ETI to notify any person or organization of such revisions, changes or improvements.