

# TA7140 Thermostat

## Hazardous Location Thermostat

**UL:**  
 Class I, Division 1 and 2, Groups  
 B, C, D  
 Class II, Division 1 and 2, Groups  
 E, F, G

**CSA:**  
 Class I, Division 1 and 2, Groups  
 B, C, D  
 Class II, Division 1 and 2, Groups  
 E, F, G

**FM:**  
 Class I, Division 1 and 2, Groups  
 B, C, D  
 Class II, Division 1 and 2, Groups  
 E, F, G

**ATEX:**  
 II 2 G D  
 EEx d IIC T6  
 Tamb -40°C to +60°C  
 IP65

### Applications

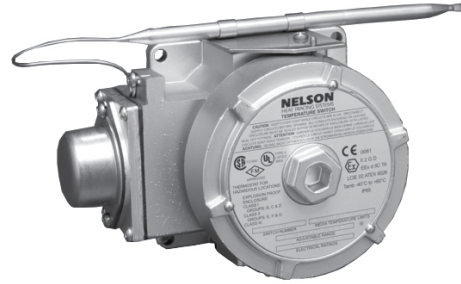
- TA7140 thermostat is for ambient temperature control in hazardous locations.

### Features

- Enclosure: Cast Aluminum
- Classifications: NEMA Type 4, 7, 9 IP66
- Temperature Range: -9°C to +60°C (+15°F to +140°F)
- Enclosure Limits: -40°C to +60°C (-40°F to +140°F)
- Capillary:
  - Length: N/A
  - Material: Stainless Steel
  - Maximum Bulb Temperature: +71°C (+160°F)
- Electrical Data:
  - CSA Rating: 22 amp resistance 480 Vac
  - UL Rating: 22 amp resistance 480 Vac
- Calibration Accuracy: +1.1°C (+2°F)
- Switch Type: Single Pole Double Throw

### Certifications and Compliances

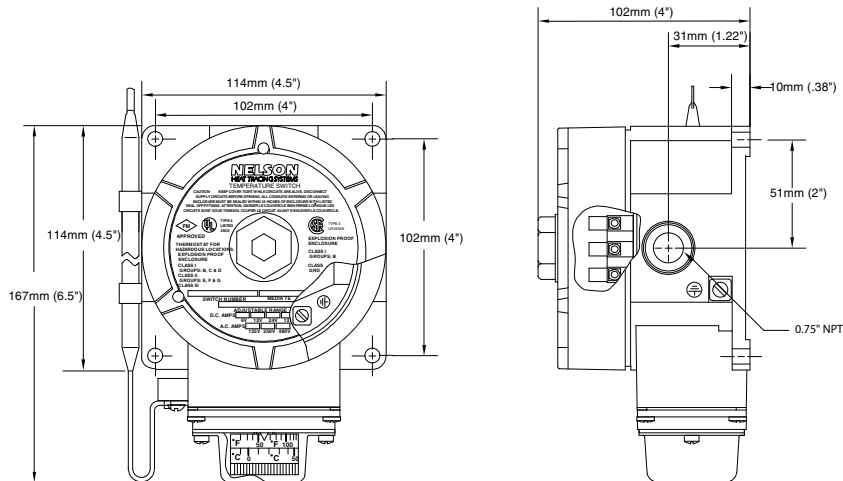
- UL Listed: E58658
- CSA Certified: LR34556
- FM Approved: 1Z1A0.Ae
- LCIE Certified: 04 ATEX 6048



CONTROL AND MONITORING SYSTEMS: THERMOSTATS

NELSON™

### Dimensions in Millimeters (Inches)



# TA7140 Thermostat

## Hazardous Location Thermostat

**UL:**  
 Class I, Division 1 and 2, Groups B, C, D  
 Class II, Division 1 and 2, Groups E, F, G

**CSA:**  
 Class I, Division 1 and 2, Groups B, C, D  
 Class II, Division 1 and 2, Groups E, F, G

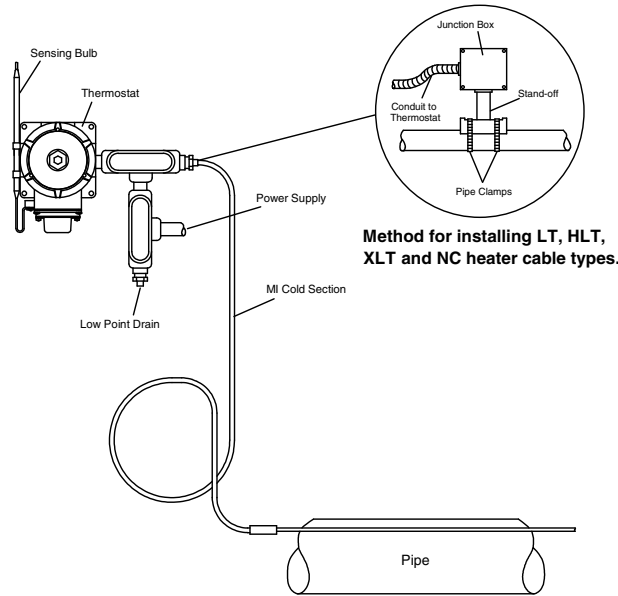
**FM:**  
 Class I, Division 1 and 2, Groups B, C, D  
 Class II, Division 1 and 2, Groups E, F, G

**ATEX:**  
 II 2 G D  
 EEx d IIC T6  
 Tamb -40°C to +60°C  
 IP65

### Annual Maintenance

1. Remove knob.
2. Lubricate dial stem and spray a coat of lubricant and rust preventative such as CRC Store and Lube, electrical grade, on the thermostat body.
3. Replace knob.

### Installation



### Wiring Diagram

