

# NELSON™ HEAT TRACING SYSTEMS

## SLT-P POWER END SEAL KIT

## INSTALLATION INSTRUCTIONS

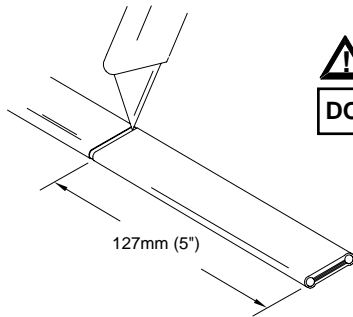
### DESCRIPTION

The SLT-P Power End Termination Kit is for use with all versions of Nelson Heat Tracing Systems' SLT & CLT heater cables.

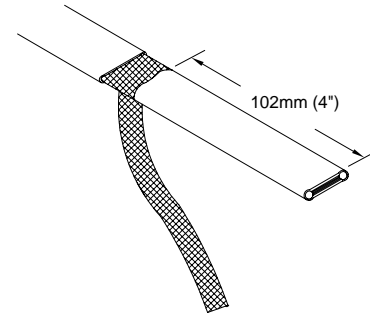
### KIT CONTENTS

- 10 Shrink Tubes, 3mm (0.125") diameter, (25mm) 1" length
- 5 Shrink Tubes, 12mm (0.5") diameter, (51mm) 2" length

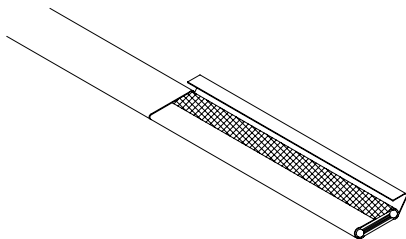
### OVERJACKET STRIPPING PROCEDURES



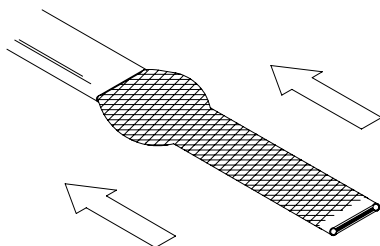
**WARNING:**  
DO NOT CUT BRAID



- 1 Lightly cut around heater overjacket 127mm (5") from the end. Bend cable to break the overjacket.
- 2 Lightly cut overjacket up the center between first cut mark and the cable end. Bend cable to break the overjacket.

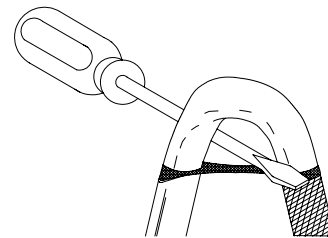


- 3 Remove overjacket from the heater cable.

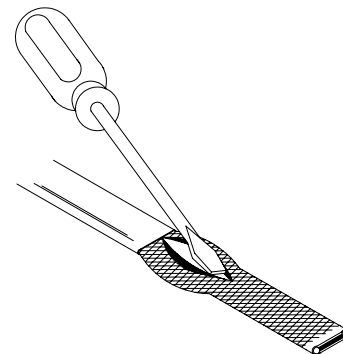


- 4 Move braid back toward the overjacket, creating a bulge.

- 5 At the bulge, separate the braid to make an opening.

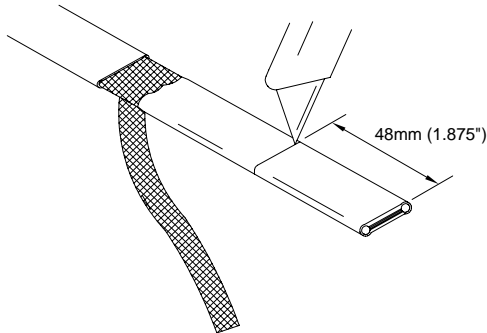


- 6 While bending the heater cable, work it through the braid opening.

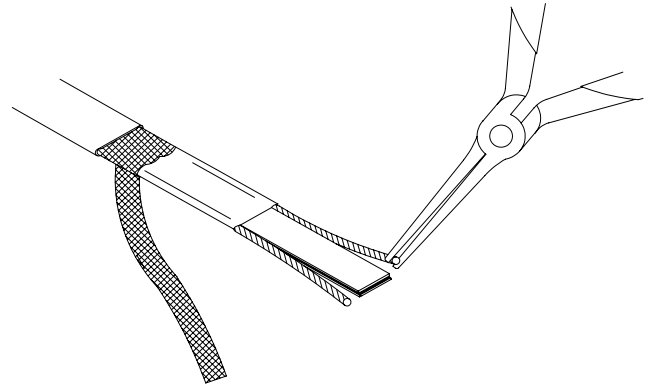


- 7 Pull the braid tight.
- 8 Proceed to "Outer Jacket Stripping Procedures", sheet 2 of 3.

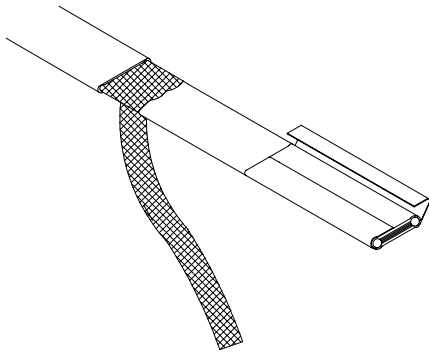
### OUTER JACKET STRIPPING PROCEDURES



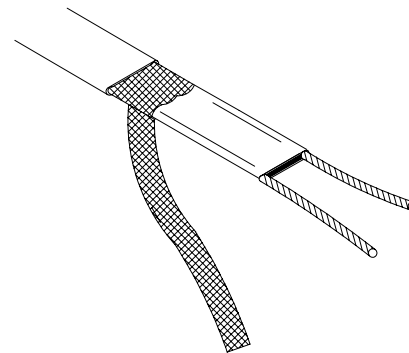
- 1 Lightly cut around heater outer jacket 48mm (1.875") from the end. Bend cable to break the outer jacket.
- 2 Lightly cut the outer jacket up the center between the first cut mark & cable end. Bend cable to break the outer jacket.



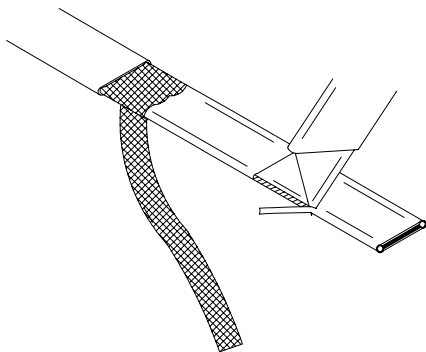
- 5 Starting at the end, pull each bus wire away from the core material.



- 3 Remove jacket from the heater cable.



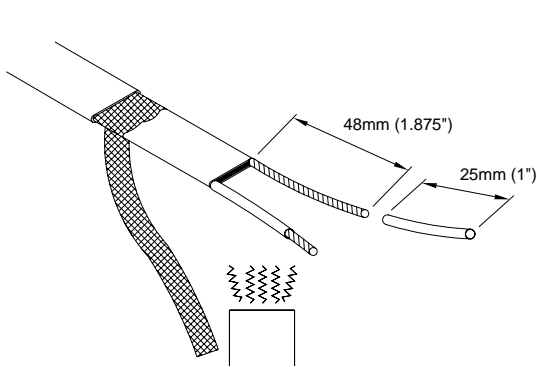
- 6 Remove exposed core material.
- 7 Proceed to "Shrink Tube Procedures", sheet 3 of 3.



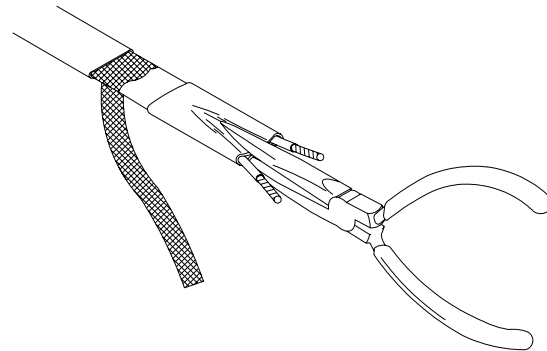
- 4 Shave the core material from the outside of each bus wire.

**⚠ WARNING:**  
**DO NOT CUT BUS WIRES.**

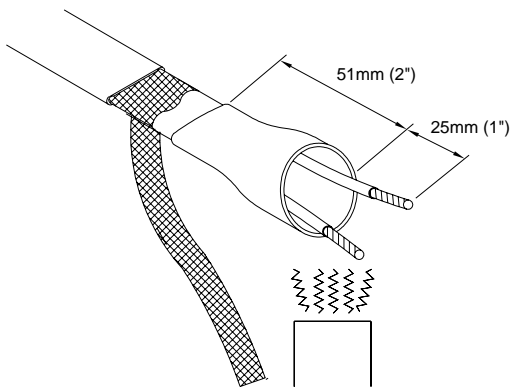
### SHRINK TUBE PROCEDURES



- 1 Slide one 3mm (.125") diameter, 25mm (1") length shrink tube over each bus wire, leaving approximately 13mm (.5") of each bus wire exposed. Shrink with heat gun until completely shrunk.



- 3 While still warm, spread bus wires and squeeze between them using needle-nose pliers, hold for 5 seconds. Allow power termination to cool before use.



- 2 Slide one 12mm (0.5") diameter, 51mm (2") length shrink tube over both pigtail leads leaving approximately 25mm (1") of each pigtail lead exposed. Shrink with heat gun until completely shrunk.

Nelson Heat Tracing Systems products are supplied with a limited warranty. Complete Terms and Conditions may be found on Nelson's website at [www.nelsonheaters.com](http://www.nelsonheaters.com).