

TH4X325 Thermostat

Ordinary Location Thermostat

UL:
Ordinary (Unclassified) Locations

CSA:
Ordinary (Unclassified) Locations

Applications

- TH4X325 thermostat is used for controlling heat tracing systems in an ordinary (unclassified) locations.

Features

- Enclosure: Die Cast Aluminum
- Classifications: NEMA Type 4X IP66
- Temperature Range: -4°C to +163°C (+25°F to +325°F)
- Exposure: -40°C to +71°C (-40°F to +160°F)
- Capillary:
 - Length: 3 m (10 ft)
 - Material: Stainless Steel
 - Maximum Bulb Temperature: +215°C (+420°F)
- Electrical Data:
 - CSA Rating: 22 amp resistance 480 Vac
 - UL Rating: 22 amp resistance 480 Vac
- Calibration Accuracy: +1.6°C (+3°F)
- Switch Type: Single Pole Double Throw

Certifications and Compliances

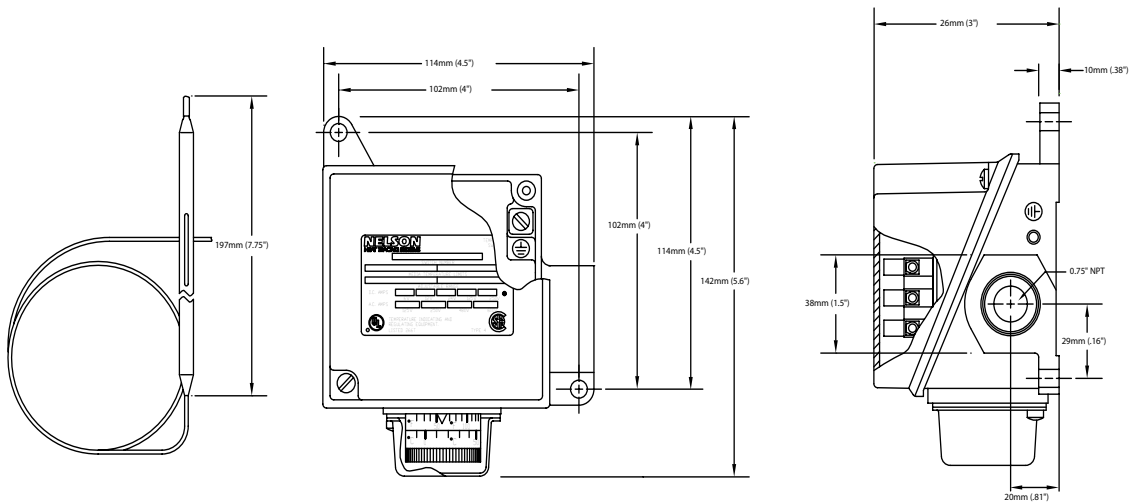
- UL Listed: E89748
- CSA Listed: LR701949



CONTROL AND MONITORING SYSTEMS: THERMOSTATS

NELSON™

Dimensions in Millimeters (Inches)



TH4X325 Thermostat

Ordinary Location Thermostat

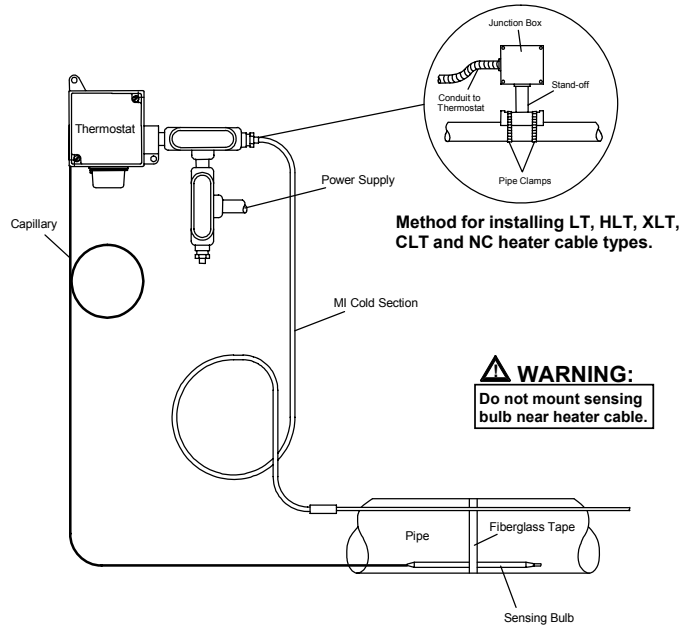
UL:
Ordinary (Unclassified) Locations

CSA:
Ordinary (Unclassified) Locations

Annual Maintenance

1. Remove cover.
2. Spray a coat of lubricant and rust preventative such as CRC Store and Lube, electrical grade, on the thermostat body.
3. Replace cover.

Installation



Wiring Diagram

